

# The Art of Diesel: Your Guide to Diesel Engine Mastery

## Unveiling the Secrets of Diesel Power

In the world of automotive engineering, diesel engines stand out as paragons of efficiency, durability, and power. With their inherent advantages in fuel economy and torque, diesel engines have become indispensable for a wide range of applications, from heavy-duty trucks to high-performance sports cars.



## The Art of Diesel: Building an Efficient Family Hauler

by Mark A. Billy

★★★★☆ 4.6 out of 5

Language	: English
File size	: 10018 KB
Text-to-Speech	: Enabled
Screen Reader	: Supported
Enhanced typesetting	: Enabled
Word Wise	: Enabled
Print length	: 235 pages
Lending	: Enabled
Paperback	: 95 pages
Item Weight	: 5.8 ounces
Dimensions	: 5.25 x 0.24 x 8 inches

FREE

DOWNLOAD E-BOOK



However, mastering the art of diesel operation requires more than just knowing the basics. It demands a deep understanding of the engine's inner workings, its intricacies, and its endless potential for optimization.

## Empowering You with Diesel Expertise

Introducing "The Art of Diesel," the definitive guidebook to unlocking the full potential of your diesel engine. Penned by a team of seasoned diesel experts, this comprehensive resource empowers you with the knowledge and techniques essential for:

- Unleashing maximum performance and efficiency
- Extending the life of your diesel engine
- Troubleshooting and resolving common diesel issues
- Customizing your diesel for specific needs and preferences

## A Comprehensive Journey into Diesel Mastery

Through a meticulously crafted narrative, "The Art of Diesel" takes you on a journey that encompasses:

- **The Fundamentals of Diesel Technology:** Understand the principles behind diesel engine operation, including fuel injection, ignition, and emissions.
- **Performance Optimization:** Discover the secrets to maximizing horsepower, torque, and fuel efficiency through expert tuning, turbocharging, and intercooler upgrades.
- **Economy Enhancement:** Learn the art of fuel-efficient driving techniques, from engine braking to hypermiling strategies, to maximize your diesel's mileage.
- **Durability and Maintenance:** Extend the lifespan of your diesel engine with proper maintenance practices, including oil changes, filter

replacements, and cooling system care.

- **Troubleshooting and Repairs:** Arm yourself with diagnostic and repair techniques to identify and resolve common diesel issues, saving time and money.
- **Customization and Modification:** Unleash your creativity and personalize your diesel engine with performance enhancements, cosmetic upgrades, and custom fabrication.

## Testimonials from Satisfied Readers

"The Art of Diesel" has garnered widespread acclaim from diesel enthusiasts and industry professionals alike:



***" "This book is an absolute goldmine of information. It has helped me troubleshoot and repair my old diesel truck, and has given me the confidence to modify it for improved performance." "***

***- John Smith, Diesel Enthusiast***



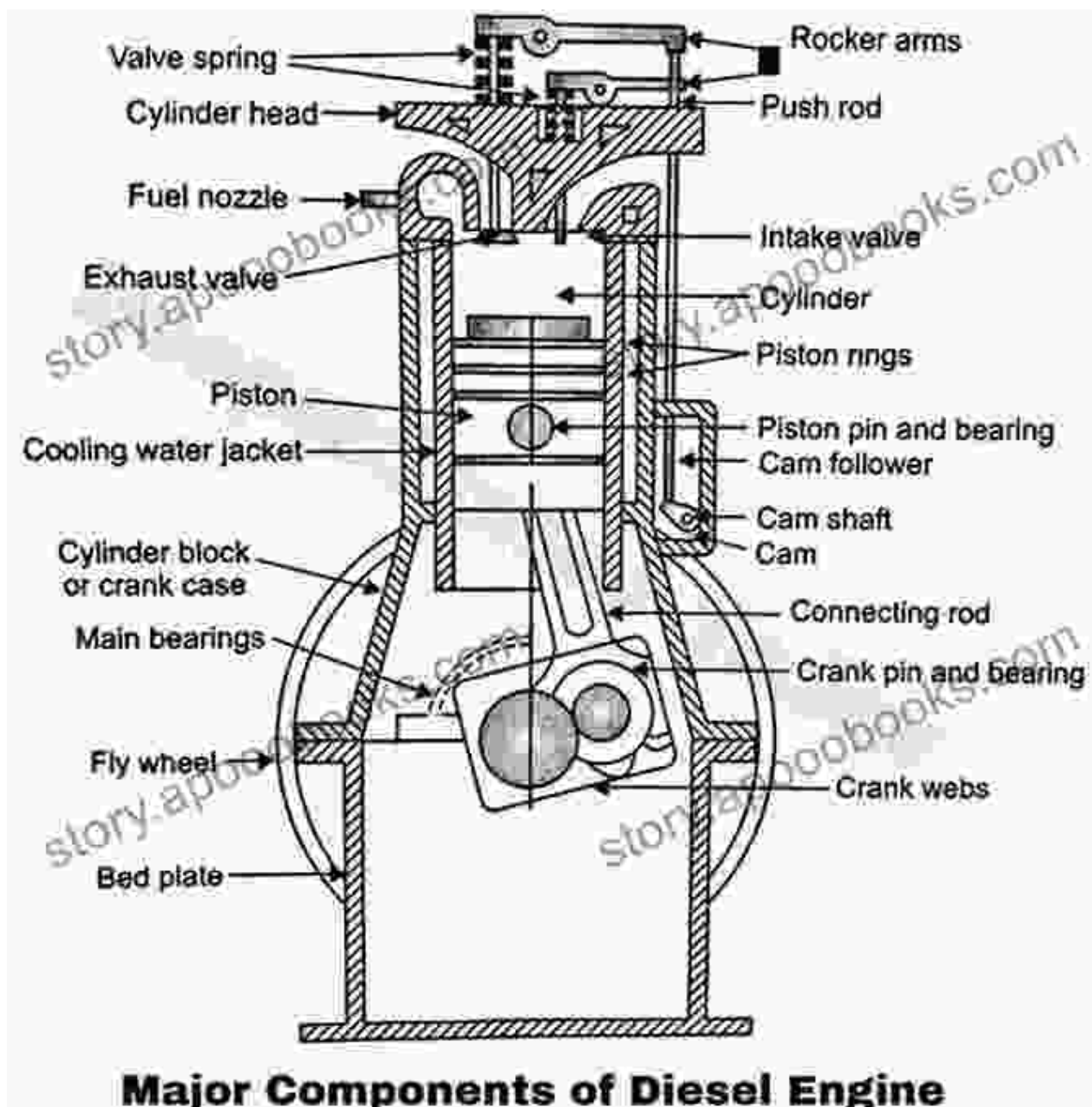
***" "As a diesel mechanic, I highly recommend this book. It covers everything from the basics to advanced topics, and provides invaluable insights for professionals seeking to enhance their skills." "***

***- Michael Johnson, Diesel Mechanic***

## Invest in Your Diesel Knowledge Today

Don't miss out on the opportunity to unlock the full potential of your diesel engine. Free Download your copy of "The Art of Diesel" today and embark on a journey towards diesel mastery.

Visit our website to Free Download and start your journey towards diesel expertise.



Take your diesel engine to the next level with "The Art of Diesel." Free Download your copy now!

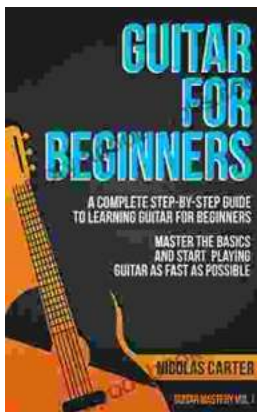


## The Art of Diesel: Building an Efficient Family Hauler

by Mark A. Billy

★★★★☆ 4.6 out of 5

Language	: English
File size	: 10018 KB
Text-to-Speech	: Enabled
Screen Reader	: Supported
Enhanced typesetting	: Enabled
Word Wise	: Enabled
Print length	: 235 pages
Lending	: Enabled
Paperback	: 95 pages
Item Weight	: 5.8 ounces
Dimensions	: 5.25 x 0.24 x 8 inches



## Unlock Your Inner Musician: The Ultimate Guide to Learning Guitar for Beginners

Embark on a Musical Journey Are you ready to embark on an extraordinary musical adventure? The guitar, with its enchanting melodies and rhythmic...



## Quick Reference Guide To Percussion Instruments And How To Play Them

Unleash your inner rhythm with our comprehensive guide to the world of percussion instruments! Whether you're a seasoned musician or just starting your musical...